

## Kwalu Features

### Kwalu Fusion

- Kwalu's proprietary polymer material
- Non-coated
- Routed edge seam

### Moisture Impervious

- Our Kwalu material is smooth, non-porous, and liquid impervious

### Proprietary Maintenance-Free Finish

- Chemical, impact, ink, and scratch resistant
- 100% free of short-lived catalytic lacquers, polyurethane varnishes and delicate wood veneers
- Look of wood's enduring beauty, without undertaking its costly setbacks

### Easy to Clean

- Withstands rigorous cleaning regime
- 100% bleach cleanable
- Provide long term cleanability
- Survives All EPA's Cleaning-Disinfectant Agents
- Survives Clorox's Healthcare Portfolio of Cleaning-Disinfectant Products

### 24/7 10-Year Performance Warranty on Kwalu-made Panels

- Kwalu's warranty is to term, not pro-rated
- Guaranteeing both the furniture construction and Kwalu finish
- For full details of warranty offered, including any bought-out items, please refer to the Terms and Conditions of Sale <https://www.kwalu.com/sales-terms-conditions/>

### Eco-friendly

- LEED credits available for "Material + Resources" and "Indoor Environmental Air Quality"
- Made in North America
- CARB Compliant

## Auburn Collection Features

### Tops

- Edge Type: Waterfall profile
- Edge Banding Thickness: 3/8"
- Top Overhang: - Sides: 1/8" - Front: 1/4" - Back: 1/16"
- Corner Radius: 1/2"
- Optional 1" thick solid surface top

### Doors

- Door Style: Inset
- Door Hinge: 100° self-closing Euro hinge
- Edge Banding thickness: 1/16"

### Drawers

- Drawer Style: Inset
- Drawer Slide: 100lb. nickel plated, soft close, ball bearing removable slides
- Drawer Box Sides and Back: 1/2" board
- Drawer Bottom: 1/4" board
- Drawer construction: 3- piece construction; dowel and mechanical fasteners
- Drawer Pulls: ADA Compliant pulls available
- Edge Banding Thickness: 1/16"

### Back Construction

- 1/4" Solid board for most products
- 3/4" Back panel for bedside cabinets with casters

### Joining System

- Dowel and mechanical fasteners

### Vertical Aluminum Reinforcement

- On all cabinets in this collection

### Venting

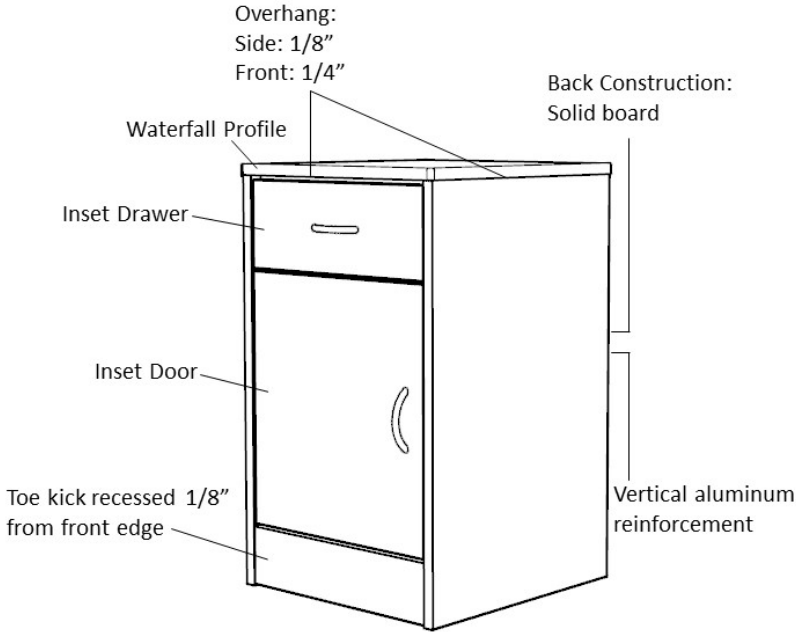
- Venting on back of bedside cabinet with one drawer, one door
- Venting on back of bedside cabinet with three drawers and casters

### Glides

- Standard option for most products: Nylon knock-in glides
- Cabinets over 30" wide and/or 48" high: Screw-in levelers

### Casters Available

- 3" twin-wheel locking casters on front, 3" twin-wheel non-locking casters on rear for the following units: - AUBS30HCCT - AUBS30HCFT - AUBS11HCFTL - AUBS11HCFTL - AUBS11HCFTL - AUBS11HCFTL - AUBS11HCFTL
- Supply cart - 4" locking caster on front, 4" non-locking caster on rear



### Product Dimensions and Specs

Overall 18.25W 19D 23H

Wt. 52 lbs

## Product Statement of Line Images



Auburn Nightstand, 1 Drawer

Model: AUNS10

18.25W 19D 23H

Product Features



Durable Finish

Kwalu's proprietary finish doesn't have any of the drawbacks of wood. The finish is moisture impervious, easy to clean and maintenance-free.



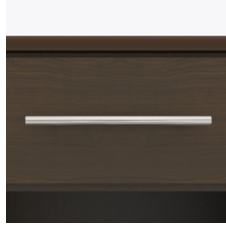
Waterfall Edging on Top

Waterfall edging creates continuous smooth surface for easy cleaning.



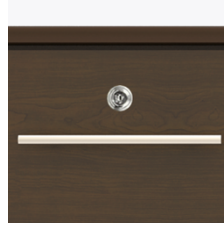
Drawers

Are constructed with both dowel and mechanical fasteners for additional strength. Ball bearing removable slides are fully extendable.



Hardware

Choose from dozens of hardware styles, including ADA compliant options.



Optional Top Drawer Lock

A top drawer lock is available and is optional.



Other Bedside Styles

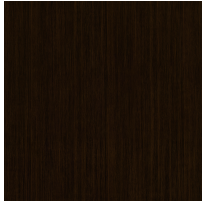
Auburn bedside styles include a 1 drawer, 1 door version, a 1 drawer, no door version and a 3 drawer version.

Product Finishes

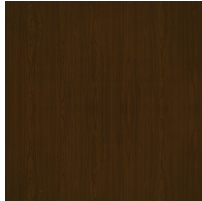
Casegood Finish



Wood Ash  
(Fusion)



Midnight Oak  
(Fusion)



Espresso  
(Fusion)



Natural  
Mahogany  
(Fusion)



African  
Mahogany  
(Fusion)

Product Environmental Certifications

