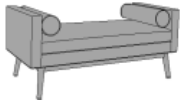
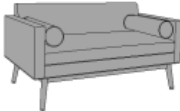
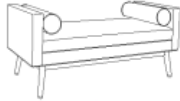

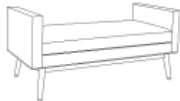
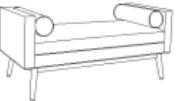


Kwalu Features

Product Dimensions and Specs

Overall	60W 20D 25.5H
Seat	41W 20D 19.5H
Arm	25.5H
Wt.	62 lbs
Wt. Capacity	500 lbs

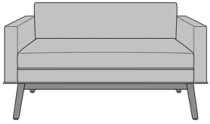
Product Configurations

Tindari Collection	TINXXX	
Back Style	 <p>1 Without Back</p>	 <p>*B With Back</p>
Arm Style	 <p>1 Without Arm Cap</p>	 <p>2 With Kwalu Arm Cap</p>
Pillow Style	 <p>**O No Pillows</p>	 <p>1 With Pair of Bolster Pillows</p>

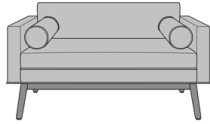
Notes

* Overall Depth dimension will increase
 ** Seat Width will increase without pillows

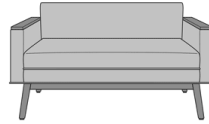
Product Statement of Line Images



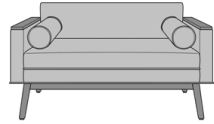
Tindari Bench, with Back,
without Arm Caps, without
Pillows
Model: TINB10
60W 25.5D 29.5H
25.5AH



Tindari Bench, with Back,
without Arm Caps
Model: TINB11
60W 25.5D 29.5H
25.5AH



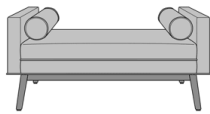
Tindari Bench, with Back, with
Arm Caps, without Pillows
Model: TINB20
60W 25.5D 29.5H
25.5AH



Tindari Bench, with Back, with
Arm Caps
Model: TINB21
60W 25.5D 29.5H
25.5AH



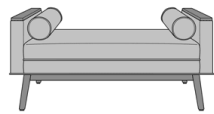
Tindari Bench, Open Back,
without Arm Caps, without
Pillows
Model: TIN110
60W 20D 25.5H
25.5AH



Tindari Bench, Open Back,
without Arm Caps
Model: TIN111
60W 20D 25.5H
25.5AH



Tindari Bench, Open Back,
with Arm Caps, without Pillows
Model: TIN120
60W 20D 25.5H
25.5AH



Tindari Bench, Open Back,
with Arm Caps
Model: TIN121
60W 20D 25.5H
25.5AH

Product Features



Durable Finish

Kwalu's solid surface (1/8" thick) proprietary finish doesn't have any of the drawbacks of wood. The frames are moisture impervious, graffiti-resistant, easy to clean and maintenance-free.



Steel Reinforced

Our patented steel-reinforced joint system uses over 20 pieces of steel in most Kwalu chairs. Stop ongoing and costly furniture replacement.

[Learn More >](#)



Semi-Attached Pillows

Pillows are attached but can be easily removed for cleaning.



Optional Without Pillows

Available with or without optional attached removable bolster pillows.



Optional Back Style

Choose from 2 optional back styles - with back or backless.



Optional Upholstered Arms

Choose from 2 optional upholstered arms - with arm caps and without arm caps.

Product Foam

Foam is compliant with CAL 117 and AB 2998

Product Glides

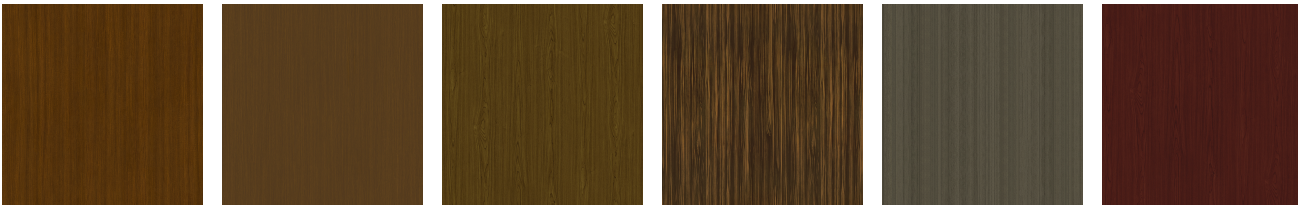
Clear Plastic Butyl Screw in Glide

Product Finishes

Arm Cap Finish



Sugar Maple Weathered Teak Vintage Teak Light Walnut Patagonian Cherry Medium Cherry



English Chestnut Northern Walnut American Walnut Golden Ebony Silver Ash African Mahogany



Espresso Natural Mahogany Midnight Oak

Base Finished



Sugar Maple Weathered Teak Northern Oak Vintage Teak Patagonian Cherry Northern Walnut



Medium Cherry



English Chestnut



Light Walnut



Silver Ash



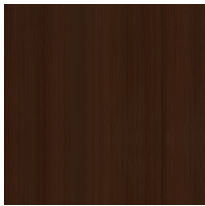
Golden Ebony



African Mahogany



Espresso



Natural Mahogany



Midnight Oak



Blackwood



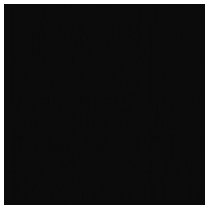
Premium Platinum



Premium Soft Gold



Premium Pure Copper



Premium Black

Product Environmental Certifications

