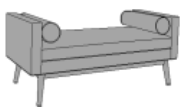
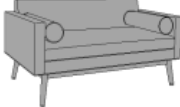
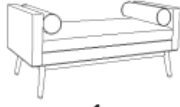


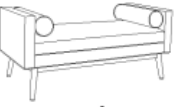


## Kwalu Features

## Product Dimensions and Specs

Overall	60W 25.5D 29.5H
Seat	41W 20D 19.5H
Arm	25.5H
Wt.	80 lbs
Wt. Capacity	500 lbs

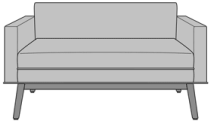
## Product Configurations

Tindari Collection	TINXXX	
<b>Back Style</b>	 <b>1</b> Without Back	 <b>*B</b> With Back
<b>Arm Style</b>	 <b>1</b> Without Arm Cap	 <b>2</b> With Kwalu Arm Cap
<b>Pillow Style</b>	 <b>**0</b> No Pillows	 <b>1</b> With Pair of Bolster Pillows

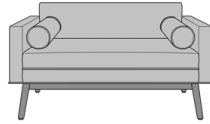
**Notes**

\* Overall Depth dimension will increase  
 \*\* Seat Width will increase without pillows

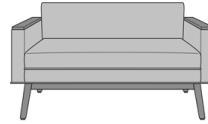
Product Statement of Line Images



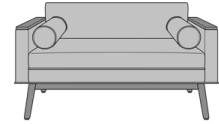
Tindari Bench, with Back,  
without Arm Caps, without  
Pillows  
Model: TINB10  
60W 25.5D 29.5H  
25.5AH



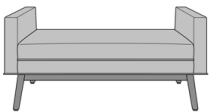
Tindari Bench, with Back,  
without Arm Caps  
Model: TINB11  
60W 25.5D 29.5H  
25.5AH



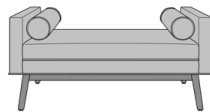
Tindari Bench, with Back, with  
Arm Caps, without Pillows  
Model: TINB20  
60W 25.5D 29.5H  
25.5AH



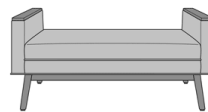
Tindari Bench, with Back, with  
Arm Caps  
Model: TINB21  
60W 25.5D 29.5H  
25.5AH



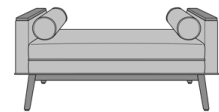
Tindari Bench, Open Back,  
without Arm Caps, without  
Pillows  
Model: TIN110  
60W 20D 25.5H  
25.5AH



Tindari Bench, Open Back,  
without Arm Caps  
Model: TIN111  
60W 20D 25.5H  
25.5AH



Tindari Bench, Open Back,  
with Arm Caps, without Pillows  
Model: TIN120  
60W 20D 25.5H  
25.5AH



Tindari Bench, Open Back,  
with Arm Caps  
Model: TIN121  
60W 20D 25.5H  
25.5AH

## Product Features



### Durable Finish

Kwalu's solid surface (1/8" thick) proprietary finish doesn't have any of the drawbacks of wood. The frames are moisture impervious, graffiti-resistant, easy to clean and maintenance-free.



### Steel Reinforced

Our patented steel-reinforced joint system uses over 20 pieces of steel in most Kwalu chairs. Stop ongoing and costly furniture replacement.

[Learn More >](#)



### Semi-Attached Pillows

Pillows are attached but can be easily removed for cleaning.



### Optional Without Pillows

Available with or without optional attached removable bolster pillows.



### Optional Back Style

Choose from 2 optional back styles - with back or backless.



### Optional Upholstered Arms

Choose from 2 optional upholstered arms - with arm caps and without arm caps.

## Product Foam

Foam is compliant with CAL 117 and AB 2998

## Product Glides

Clear Plastic Butyl Screw in Glide

## Product Finishes

### Arm Finish



Sugar Maple

Weathered Teak

Vintage Teak

Light Walnut

Patagonian  
Cherry

Medium Cherry



English Chestnut

Northern Walnut

American Walnut

Golden Ebony

Silver Ash

African  
Mahogany



Espresso

Natural  
Mahogany

Midnight Oak

### Base Finish



Sugar Maple

Weathered Teak

Northern Oak

Vintage Teak

Patagonian  
Cherry

Northern Walnut





Medium Cherry



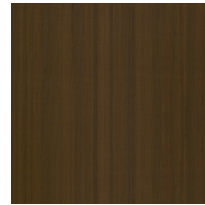
English Chestnut



Light Walnut



Silver Ash



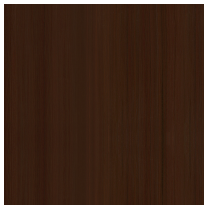
Golden Ebony



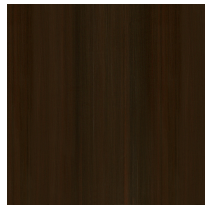
African Mahogany



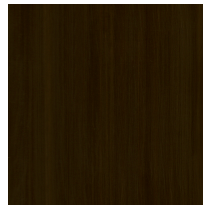
Espresso



Natural Mahogany



Midnight Oak



Blackwood



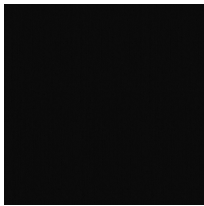
Premium Platinum



Premium Soft Gold



Premium Pure Copper



Premium Black

## Product Environmental Certifications

